

165 Series Control Valve



Features:

- ✓ Exclusive NSF Certified electronic control valve with reliable piston, seal and spacer design
- ✓ Manually index to cycle position for easier and faster installation and service
- ✓ Reliable and precise electronic sensors to determine piston positions
- ✓ Simple user friendly LCD display shows time of day, regeneration mode and gallons remaining
- ✓ "Totalizer" function tracks total amount of water treated
- ✓ 48 hour battery back-up keeps time-of-day stored while program settings are kept in permanent memory
- ✓ No confusing codes or symbols to remember
- ✓ Meter Immediate, Meter Delayed, Meter with Day Override, Vacation and Calendar Clock modes
- ✓ Fully adjustable cycle times
- ✓ Unique bypass with integrated space saving turbine meter and sample port on the inlet. One piece design avoids meter jamming.
- ✓ Time saving quick connections for easy installation and maintenance
- ✓ Five Year Guarantee



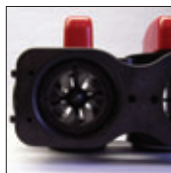
QC Power Cable



QC Brine Line



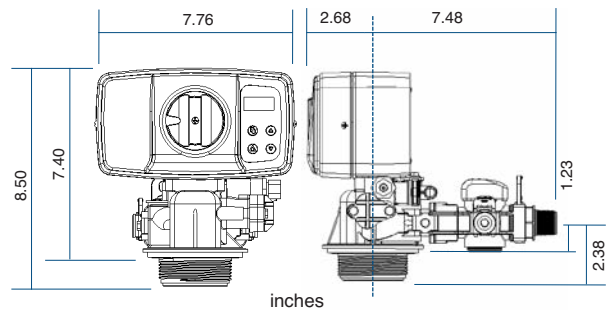
QC Drain Line



Integrated Meter

Item #	Description
10010014	165 ELECTRONIC METER-BLACK COVER
10020004	165 ELECTRONIC METER-IF-FILTER-BLACK COVER

Specifications	
Valve Body Material	Noryl (PPO)
Plumbing Connections (NPT)	Straight – ½", ¾", 1" 90 Deg – ¾"
Tank Thread	2-1/2" NPSM
Adjustable Cycles	0 - 99 minutes
Regeneration	Down Flow
Meter Accuracy	+/-5%
Maximum Meter Capacity	9,999 GAL
Distributor Pilot	1.05"
Drain Line	1/2" Quick Connect
Brine Line	3/8" Quick Connect
Flow Rates (Valve Only 50 psi inlet)	
Continuous (15 psi drop)	20 GPM
Peak (25 psi drop)	26 GPM
Max. Backwash (25 psi drop)	7 GPM
Cv	5.2
Typical Applications	
Softeners	up to 16" Diameter
Filters	up to 10" Diameter
Electrical	
Input	110V AC 50/60Hz
Output	12V AC 50/60Hz 410mA
Certification	cUL
Operation Ratings	
Max. Working Pressure	20 - 125 psi
Max. Temperature	34F - 110F
Approvals	
NSF	Certified
Additional Information	
Shipping Weight	7 pounds



www.canaturena.com
Canature North America Inc.
Canature USA Inc.

Your Local Water Professional: